



# MASTER VALVE

## Series: GSB-6F

High Pressure Gas Shutoff & Control Valve



### Application

The new CPV High Pressure Master Valve is optimized for the critical requirements of gas cylinder fill plants, panels, tube trailers, and manifolds. This oxygen-service brass valve design utilizes the same reliable sealing mechanism as CPV's valves which have been used throughout the high pressure piping industry for more than 75 years!

With robust design & leak-free operation, you can count on CPV to provide the most dependable product in the industry! Our standard is the NEW STANDARD in the Master Valve Market!

### EVERY VALVE MANUFACTURED IS OXYGEN SAFE

- > Certified & Approved per ISO 10297 and ISO 7291
- > 100% Oxygen Cleaned & Packaged per CGA G-4.1 and ASTM G93 standards

### PRESSURE & FLOW

- > Full Vacuum Standard
- > 6000 psi Inert Service, 6000 psi Oxygen Service  
° ASME Section VIII, ASME B31.3
- > Highest Flow Coefficient in the industry
- > Soft Seated sealing for bubble-tight, leak-free operation

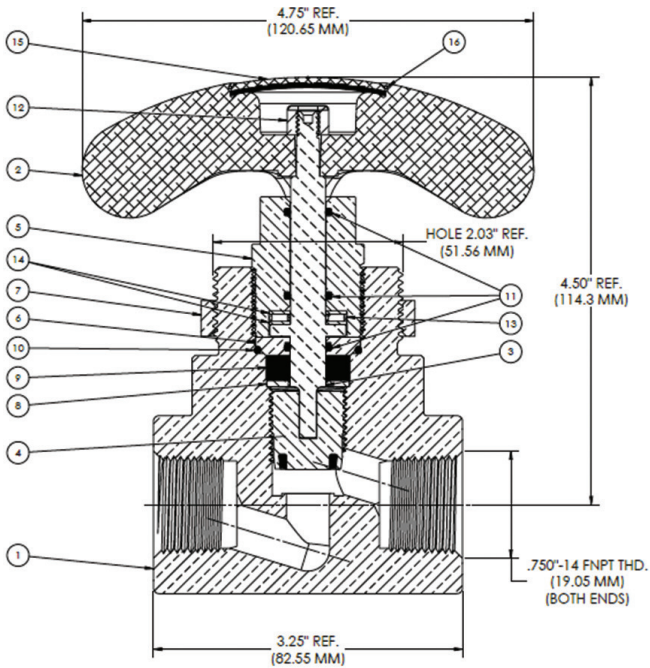
### FEATURES & BENEFITS

- > Ergonomic handle designed for comfort & easy operation
- > Low torque, even at full pressure
- > Panel mount standard
- > Higher performance alternative to under-performing, lower quality & lower pressure rated valves

### Technical Data

Operating Pressure Range	6000 PSIG (414 BAR) Oxygen 6000 PSIG (414 BAR) Inert
Operating Temperature	-70°F to 250°F (-57°C to 121°C)
Flow Coefficient (Cv)	2.78
Production Testing (Valves are 100% Factory Tested)	6000 PSIG Seat Test 9000 PSIG Shell Test
Panel Mount	Standard
Full Vacuum	Standard

## Materials of Construction



No.	Component	Material
1	Body	Naval Brass   ASTM B283
2	Handle	Aluminum 6061   ASTM B221
3	Stem	Monel®   ASTM B164
4	Guide Assembly	Copper Nickel 70/30   MIL-C-15726
5	Gland Nut	Nickel Aluminum Bronze   ASTM B150
6	Retainer	Naval Brass   ASTM B21
7	Panel Nut	Naval Brass   ASTM B21
8	Packing Retainer	Commercial Grade Brass
9	Packing	EPDM E4207A90 Peroxide Cured
10	O-Ring	EPDM
11	O-Ring	EPDM
12	Lock Nut	Commercial Grade S.S.
13	Thrust Bearing	Hardened Steel
14	Bearing Washer	Hardened Steel
15	Cap	Aluminum Crystal Coating
16	Retaining Ring (Cap)	Commercial Grade S.S.
	Lubricant	Turmoxygen LCO 45 plus

## Ordering Information

Ordering Example:      Series -      Style -      End Connection

Globe FNPT                      GSB -                      G -                      6F

### Series

GSB Master Valve →

### Style

G - Globe Valve →

### Port Size & Connection

4F - 1/2" Female NPT  
6F - 3/4" Female NPT →



\*For O-SEAL port connection, see MasterValveGSB-2FS Datasheet.  
(Pressure rating for O-SEAL valve is 7800 PSI Inert Service & 6000 PSI Oxygen Service)



A BSA COMPANY

Prochem Pipeline Products  
1300 287 777  
sales@prochem.com.au | www.prochem.com.au